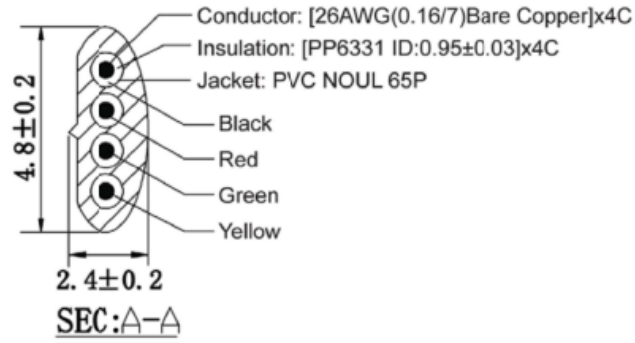
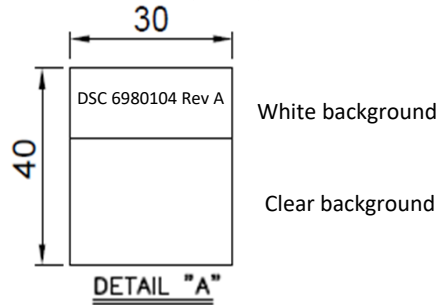


Label Details
Similar design may be substituted



P1 (RJ11)	Colour	P2 (DB9 Male)
2 (TX)	Black or Any	3
3(RX /CAN L)	Red or Any	2
4 (CAN H)	Green or Any	7
5	Yellow or Any	5

5	LABEL	1PC	W=30.0MM, L=40.0MM, CONTENT:SEE "A"	
4	SCREW	2PCS	MATERIAL: COPPER, NICKEL PLATED HEX SCREW H: 4.75*11.8 #4-40UNC	
3	SHELL	1PC	MATERIAL: ABS, UL94V-0, COLOR:BLACK W/NUT #4-40UNC P/N: DKN9/9	
2	D-SUB 9M	1PC	MATERIAL: PBT, UL94V-0, INSULATION: BLACK D-SUB 9 MALE, PIN GLOD FLASH SHELL NI PLATED SP P/N: 010309-00002201	E334753
1	RJ11 Plug Cable	1PC	Modular Cable Plug to Cable 6p4c (RJ11) Unshielded P/N: AT-S-26-6/4/S-7-OE or similar	
No.	ITEM	Q'TY	DESCRIPTION	UL NO.

NOTES:

- ALL DIMENSIONS ARE "MM".
- ANY OPEN, MISWIRING, SHORT & INTERMITTENT ARE NOT PERMITTED.
- Connection Resistance : 2.0Ω
Insulation Resistance : 20MΩ
Hi-POT Voltage : 300V DC
Hi-POT Duration : 10mS
- THE PRODUCT MUST BE COMPLY WITH THE DIRECTIVE OF ROHS.
- PACKAGE: 1PC/BAG.

Alternate parts may be substituted if they meet the specifications given

Diamond Systems Corp.
Cable no. 6980104 Rev A
RJ11 to DB9M cable



www.diamondsystems.com